

Momentary Switches – Door Switches DS

DS

Characteristics	<ul style="list-style-type: none"> ■ Long overtravel door actuation ■ Override facility for maintenance purposes ■ Available with or without a cover
Rating	Up to 250 VAC, 15 A
Dimensions (mm)	48 x 51 x 16
Actuator	Long overtravel horizontal plunger
Approvals	UL, CSA



Preferred Product Range

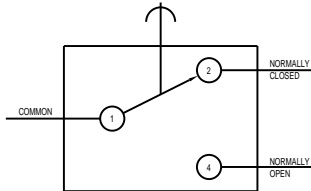
Ordering Reference	Actuating Force		Sealing	Operating position		Terminal	Circuit	Actuator	Contacts	Electrical rating
	(N)	(oz)		(mm)	(in)					
DS1UL	13.3	47.8	IP40	14.5	0.57	Screw	C0	Plunger	Silver	Up to 250 VAC, 15 A
DS3UL	13.3	47.8	IP40	14.5	0.57	Screw	C0	Plunger	Silver	Up to 250 VAC, 15 A

Momentary Switches – Door Switches DS

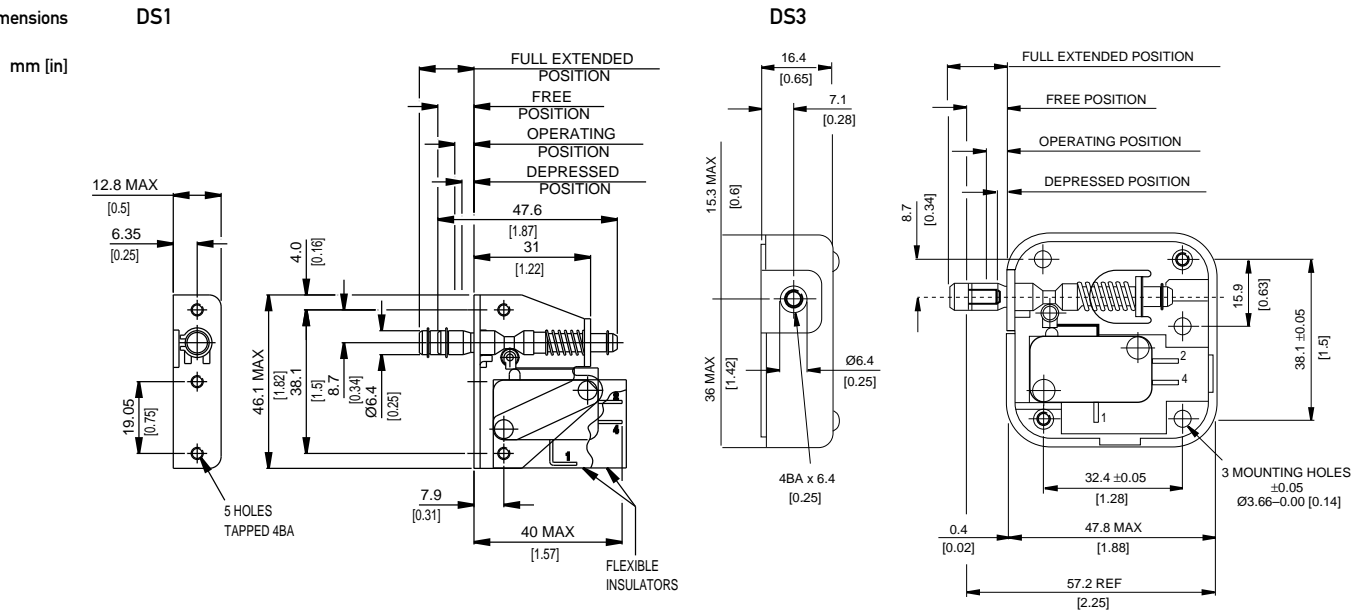
Specifications

Housing	DS3UL only - Flame retardant polycarbonate
Base plate	Mild steel, zinc-plated
Plunger	Stainless steel
Mechanism	Single pole change-over
Contacts	Silver
Terminals	Solder tags - Silver-plated brass - common (1), Brass - normally closed (2), normally open (4)
Temperature range	-10°C to +85°C
Mechanical life	10 ⁶ cycles minimum (impact free actuation)
Type of protection	IP40 (switch)

Circuit diagram



Dimensions



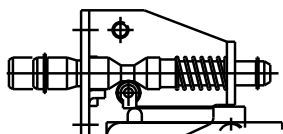
Recommended Maximum Electrical Ratings

Voltage (max)	Resistive load (A)	Inductive load	Horsepower	Approval
250 VAC	15 (0.75 pf)	-	-	UL 1054/CSA 22.2 No. 55 - 6,000 operations
0 - 15 VDC	10	-	-	General rating - 50,000 operations
15 - 30 VDC	7	-	-	General rating - 50,000 operations

Momentary Switches – Door Switches DS

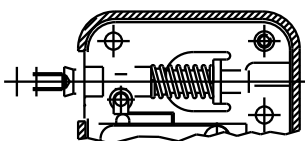
Operating Characteristics

Actuator	Reference	Actuating Force Maximum		Free Position Maximum		Operating Position Maximum		Fully extended Position Maximum		Depressed Position Maximum	
		(N)	(oz)	(mm)	(in)	(mm)	(in)	(mm)	(in)	(mm)	(in)
Spring Plunger	DS1UL	13.3	47.8	10.5	0.41	6	0.23	14.5	0.58	3.2	0.125



Overtravel: Plunger can be depressed flush with housing. The housing should not be used as an end stop.

Spring Plunger	DS3UL	13.3	47.8	10.5	0.41	6	0.23	14.5	0.58	3.2	0.125
----------------	-------	------	------	------	------	---	------	------	------	-----	-------



Overtravel: Plunger can be depressed flush with housing. The housing should not be used as an end stop.

For the convenience of maintenance engineers who must have full working conditions with the door open, DS units are fitted with a lock-on device which overrides the interlock while working. When the door is open, the plunger can be moved down and out to an extended position which will cause the switches to operate. At the conclusion of the maintenance work, full interlock facilities are restored automatically when the door is closed.

Ordering Reference – How to Build a Part Number

Type	DS
Switch variants	1 Open bracket type using one miniature type insert switch 3 As DS1 but fitted with plastic cover
Approvals	UL UL and CSA approved